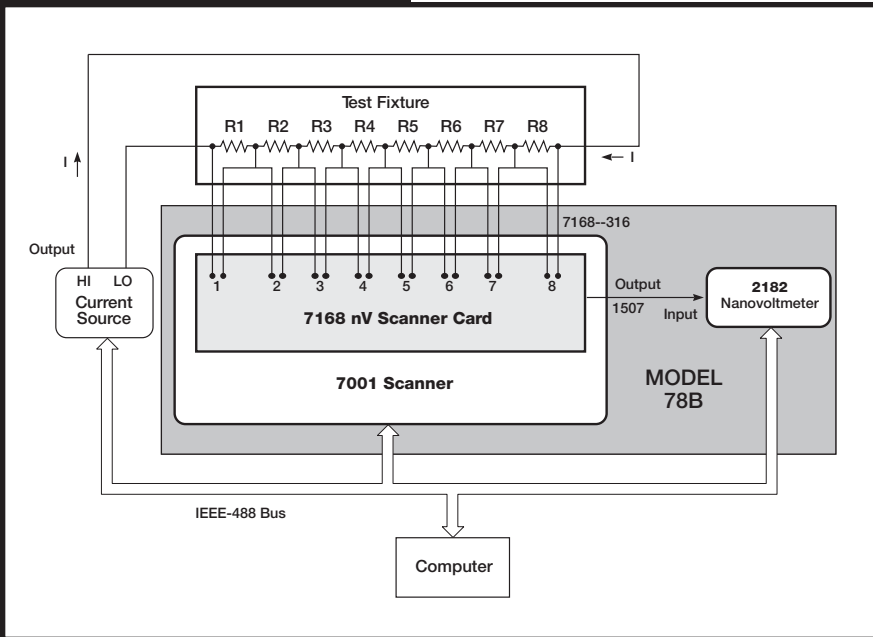


78B

Nanovolt Scanner Test System



The Model 78B provides all instrumentation and accessories necessary to scan eight channels of the Model 7168 Nanovolt Scanner Card and make low-level voltage measurements.

The Model 78B includes:

- Model 7168 Nanovolt Scanner Card, including all input cabling
- Model 7001 Scanner
- Model 2182 Nanovoltmeter

For applications such as thermocouple testing or low resistance measurements, including bus bar testing, low resistance shunt measurements, and superconductor measurements, the Model 78B can be configured and programmed easily. The Model 7001 Scanner controls the Model 7168 Nanovolt Scanner Card under supervision of the computer program. The Model 2182 Nanovoltmeter measures the voltage across each sample as it is selected by the scanner. The resulting data are sent over the IEEE-488 bus to the computer for further computation.

Ordering Information

78B Nanovolt Scanner Test System

Includes:

7168 Nanovolt Scanner Card, including all input cabling
7001 Scanner
2182 Nanovoltmeter

These products are available with an Extended Warranty.

1.888.KEITHLEY (U.S. only)

www.keithley.com

KEITHLEY

A GREATER MEASURE OF CONFIDENCE

Designed for multipoint low-level voltage testing

LOW V/LOW R PRODUCTS